



SIMPLY
STAINLESS
Modular Bar Solutions

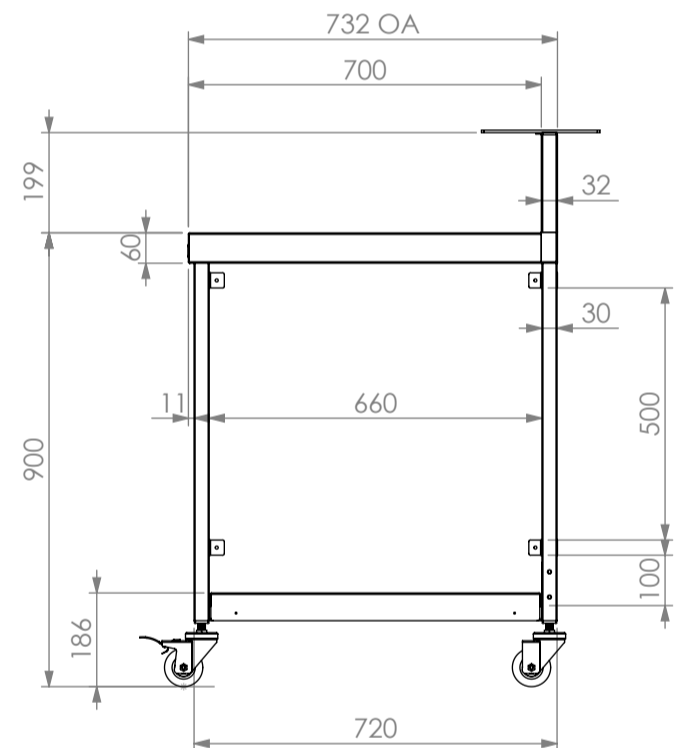


SBM-M-6-1500



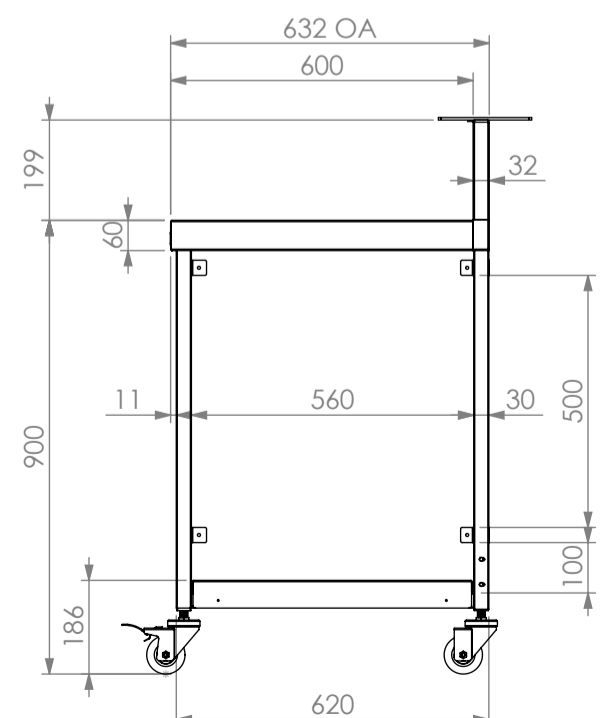
SBM-M-7-1500

| SPECIFICATION | |
|---------------|---|
| Tops | - High quality 304 grade stainless steel. - 1.2mm gauge, no. 4 Finish. |
| Core | - 3mm zincalume. - Marine grade protective paint . |
| Frames | - 30mm square stainless steel tube. - Heavy duty castors. |
| Servery | - 5mm stainless steel flatbar. - Welded to frame. - 2 fixing holes. |
| Undershelf | - 1.2mm Stainless Steel. |



NOTE:
1. 700mm DEEP MODULE ELEVATION.

| SBM-M | MOBILE BAR MODULES | |
|-------|--------------------|-------------------|
| | Product Code | Dimensions (mm) |
| | SBM-M-6-1200 | 1200x600x900/1100 |
| | SBM-M-6-1500 | 1500x600x900/1100 |
| | SBM-M-6-1800 | 1800x600x900/1100 |
| | SBM-M-7-1200 | 1200x600x900/1100 |
| | SBM-M-7-1500 | 1500x600x900/1100 |
| | SBM-M-7-1800 | 1800x600x900/1100 |



NOTE:
1. 600mm DEEP MODULE ELEVATION.